

APOLLO

A500 APARTMENT COMPACTOR

FEATURES INCLUDE:

- 1/4" INTEGRAL MAINFRAME / HOPPER DESIGN
- 3/8" A.R. FLOOR PLATE FOR LONGER LIFE
- SINGLE SIDE LATCH OPTION
- DUAL 3" BORE X 2" ROD CYLINDERS
- 80% AND 100% FULL LIGHTS WITH AUTOMATIC SHUTDOWN
- KEY ON/OFF PHOTO EYE OPERATION MANUAL FOR/REV EMERGENCY STOP POWER ON LIGHT
- MICROPROCESSOR CONTROLS WITH EASY READ OUT FOR PROGRAMMING AND TROUBLESHOOTING.

UL LISTED
CONTROL
PANEL



**LARGE 30" x 30" CHARGE CHAMBER WITH
37" RAM STROKE TO TOTALLY CLEAR THE
COMPACTION CHAMBER.**

NO MORE BRIDGING OF GARBAGE.

PRODUCT DATA AND RATINGS

GENERAL

COMPACTOR MODEL	APOLLO A500
CHAMBER CAPACITY - MFR	0.45 CU.YDS.
CHAMBER CAPACITY - WASTE	0.36 CU.YDS.
CHAMBER CLEAR TOP OPENING	30" x 30"
TOP OPENING	48" x 30"
RAM DIMENSIONS	18" x 30"
OVERALL DIMENSIONS	57"L x 40"W x 67"H
EST. SHIPPING WT. (INCL. POWER PACK)	1750 LBS

PERFORMANCE CHARACTERISTICS

CYCLE TIME	26 SECS
CAPACITY PER HOUR	62 CU.YDS
RAM PENETRATION	7"
RAM FACE PRESSURE (N) @ 1600 PSI	41 PSI
RAM FACE PRESSURE (M) @ 1800 PSI	46.5 PSI
PACKING FORCE (N) @ 1600 PSI	22,500 LBS
PACKING FORCE (M) @ 1800 PSI	25,500 LBS

STRUCTURAL CHARACTERISTICS

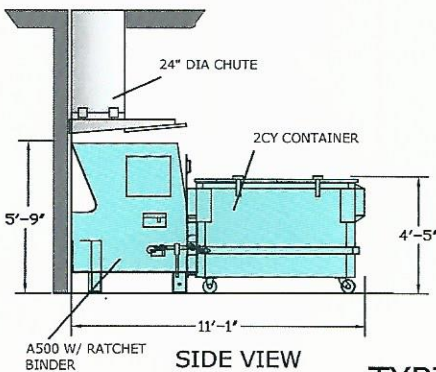
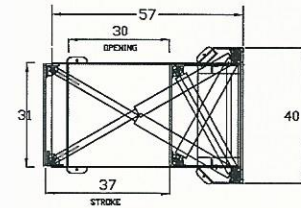
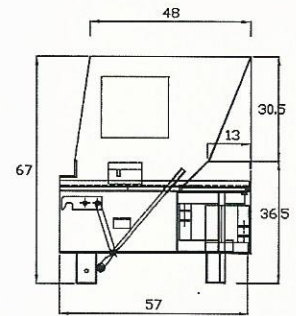
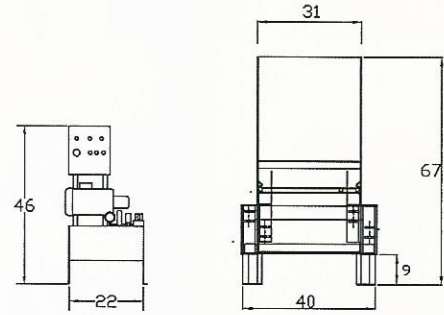
MAIN FRAME AND HOPPER	1/4" PLATE
IMPACT PLATE	1/4" PLATE
FLOOR PLATE	3/8" AR PLATE
RAM FACE PLATE	3/8" PLATE

ELECTRICAL SPECIFICATIONS

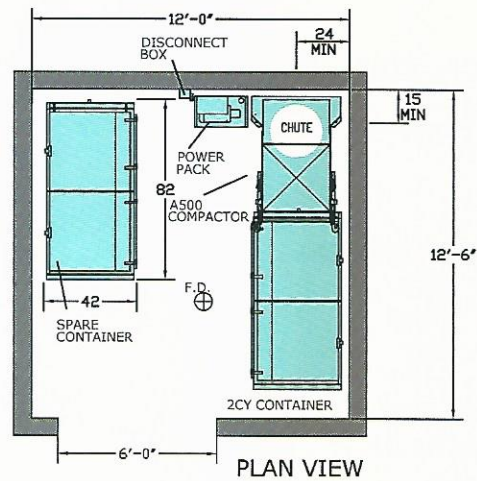
REMOTE POWER PACK DIMENSIONS	46"H x 22"W x 14"D
MOTOR	5HP
MOTOR POWER	208/230/460V, 3PH, 30 AMPS
CONTROL VOLTAGE	120VAC (24VDC OPTION)
CIRCUITS CONTROLLER	ZELIO PLC PROCESSOR
MONITORS	80% & 100% FULL
PHOTO ELECTRIC EYE	OMRON E3K
DOOR SAFETY SWITCH	TELEMECANIQUE
CONTROL PANEL	UL LISTED

HYDRAULIC SPECIFICATIONS

CYLINDERS	DUAL 3" BORE, 2" ROD
HYDRAULIC PUMP CAPACITY	6 GPM
OIL TANK CAPACITY	12 GALS.
OPERATING PRESSURE	1600 PSI
RELIEF PRESSURE	1800 PSI
MAXIMUM RATED PRESSURE	3000 PSI



TYPICAL LAYOUT
A500



APOLLO WELDING AND FABRICATING, INC.

35600 CURTIS BLVD, EASTLAKE, OHIO 44095

PH: 440 942 0227

FAX: 440 942 0127

apollo@apollowelding.com

www.apollowelding.com

DISTRIBUTED BY: