

APOLLO

A450 EXTRUDER COMPACTOR

FEATURES INCLUDE:

- 3/8" TUBULAR MAIN FRAME
- SINGLE OR MULTI-BAG OPERATION
- CAST IRON REPLACEABLE SHEAR BLADES.
- HEAVY DUTY 4" BORE CYLINDER
- 80% AND 100% FULL LIGHTS (BAG OFF) WITH AUTOMATIC SHUTDOWN
- KEY ON/OFF PHOTO EYE OPERATION MANUAL FOR/REV EMERGENCY STOP POWER ON LIGHT
- MICROPROCESSOR CONTROLS WITH EASY READ OUT FOR PROGRAMMING AND TROUBLESHOOTING.
- UL LISTED CONTROL PANEL



USED FOR BELOW GRADE INSTALLATIONS WHERE BAGS ARE MORE SUITABLE THAN CONTAINERS. SHORTER MODEL IS AVAILABLE FOR APPLICATIONS WHERE STANDARD EXTRUDER WILL NOT FIT.

PRODUCT DATA AND RATINGS

A450 SERIES

GENERAL

| COMPACTOR MODEL | APOLLO A450 | APOLLO A450-SR |
|-------------------------------------|--------------------|--------------------|
| CHAMBER CAPACITY - MFR | 3.6 CU.FT. | 2.7 CU.FT. |
| CHAMBER CLEAR TOP OPENING | 18" x 24" | 18" x 24" |
| TOP OPENING | 57"L x 26"W | 47.5"L x 26"W |
| RAM DIMENSIONS | 17" DIA. | 17" DIA. |
| OVERALL DIMENSIONS | 80"L x 30"W x 69"H | 70"L x 30"W x 64"H |
| EST. SHIPPING WT.(INCL.POWER PACK) | 1750 LBS | 1650 LBS |

PERFORMANCE CHARACTERISTICS

| | | |
|----------------------------------|------------|------------|
| CYCLE TIME | 36 SECS | 32 SECS |
| CAPACITY PER HOUR | 16 CU.YDS | 19 CU YDS |
| RAM FACE PRESSURE (N) @ 2000 PSI | 110 PSI | 110 PSI |
| RAM FACE PRESSURE (M) @ 2200 PSI | 121 PSI | 121 PSI |
| PACKING FORCE (N) @ 2000 PSI | 25,100 LBS | 25,100 LBS |
| PACKING FORCE (M) @ 2200 PSI | 27,600 LBS | 27,600 LBS |

STRUCTURAL CHARACTERISTICS

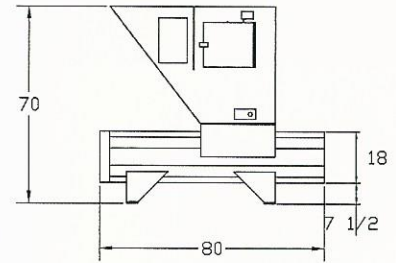
| | | |
|------------------------|-----------------------|-----------------------|
| MAIN TUBULAR FRAME | 3/8" PLATE | 3/8" PLATE |
| IMPACT PLATE | 1/4" PLATE REINFORCED | 1/4" PLATE REINFORCED |
| HOPPER SIDES AND FRONT | 12 G | 12 G |
| SHEAR BLADES | CAST IRON | CAST IRON |
| RAM FACE PLATE | 1" PLATE | 1" PLATE |

ELECTRICAL SPECIFICATIONS

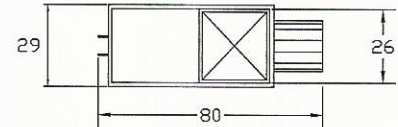
| | | |
|------------------------------|----------------------------|----------------------------|
| REMOTE POWER PACK DIMENSIONS | 46"H x 22"W x 14"D | 46"H x 22"W x 14"D |
| MOTOR | 5HP | 5HP |
| MOTOR POWER | 208/230/460V, 3PH, 30 AMPS | 208/230/460V, 3PH, 30 AMPS |
| CONTROL VOLTAGE | 120VAC (24VDC OPTION) | 120VAC (24VDC OPTION) |
| CIRCUITS CONTROLLER | ZELIO PLC PROCESSOR | ZELIO PLC PROCESSOR |
| MONITORS | 80% & 100% FULL (BAG OFF) | 80% & 100% FULL (BAG OFF) |
| PHOTO ELECTRIC EYE | OMRON E3K | OMRON E3K |
| DOOR SAFETY SWITCH | TELEMECANIQUE | TELEMECANIQUE |
| CONTROL PANEL | UL LISTED | UL LISTED |

HYDRAULIC SPECIFICATIONS

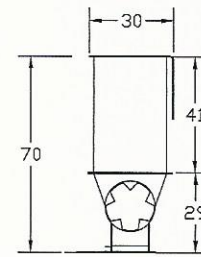
| | | |
|-------------------------|-----------------|-----------------|
| CYLINDERS | 4" BORE, 2" ROD | 4" BORE, 2" ROD |
| HYDRAULIC PUMP CAPACITY | 6 GPM | 6 GPM |
| OIL TANK CAPACITY | 12 GALS. | 12 GALS. |
| OPERATING PRESSURE | 2000 PSI | 2000 PSI |
| RELIEF PRESSURE | 2200 PSI | 2200 PSI |
| MAXIMUM RATED PRESSURE | 3000 PSI | 3000 PSI |



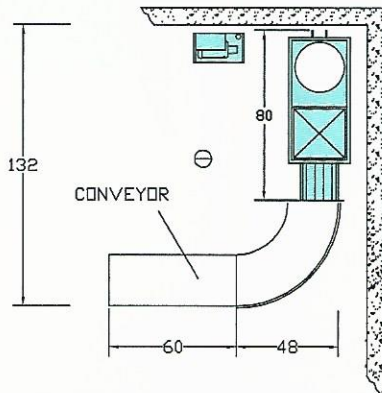
SIDE VIEW



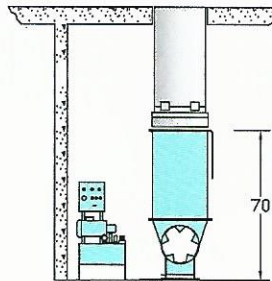
TOP VIEW



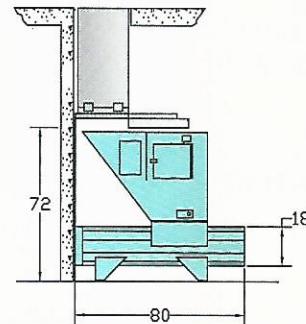
FRONT VIEW



PLAN VIEW



FRONT VIEW



SIDE VIEW

TYPICAL LAYOUT
A450 EXTRUDER

APOLLO WELDING AND FABRICATING, INC.

35600 CURTIS BLVD, EASTLAKE, OHIO 44095

PH: 440 942 0227

apollo@apollowelding.com

FAX: 440 942 0127

www.apollowelding.com

DISTRIBUTED BY: