

# APOLLO

## A400-N APARTMENT COMPACTOR

### FEATURES INCLUDE:

- 1/4" INTEGRAL MAINFRAME / HOPPER DESIGN
- 3/8" A.R. FLOOR PLATE FOR LONGER LIFE
- SINGLE SIDE LATCH
- DUAL 3" BORE CROSS ARM CYLINDERS FOR ADDED COMPACTION AT END OF STROKE
- 80% AND 100% FULL LIGHTS WITH AUTOMATIC SHUTDOWN
- KEY ON/OFF PHOTO EYE OPERATION MANUAL FOR/REV EMERGENCY STOP POWER ON LIGHT
- MICROPROCESSOR CONTROLS WITH EASY READ OUT FOR PROGRAMMING AND TROUBLESHOOTING.

UL LISTED  
CONTROL  
PANEL



**BASED ON THE A400 MODEL, THE A400-N IS 26" WIDE AT FRONT TO SUIT A NARROWER CONTAINER FOR A SMALLER FOOTPRINT.**



**PRODUCT DATA AND RATINGS**

**A400-N**

**GENERAL**

COMPACTOR MODEL	<b>APOLLO A400-N</b>
CHAMBER CAPACITY - MFR	0.26 CU.YDS
CHAMBER CAPACITY - WASTEC	0.23 CU.YDS
CHAMBER CLEAR TOP OPENING	24" x 25"
TOP OPENING	36" x 25.5"
RAM DIMENSIONS	18" x 25.5"
OVERALL DIMENSIONS	45"L x 36"W x 67"H
EST. SHIPPING WT.( INCL.POWER PACK)	1650 LBS

**PERFORMANCE CHARACTERISTICS**

CYCLE TIME	21 SECS.
CAPACITY PER HOUR	50 CU.YDS.
RAM PENETRATION	5"
RAM FACE PRESSURE (N) @ 1600 PSI	49 PSI
RAM FACE PRESSURE (M) @ 1800 PSI	55.5 PSI
PACKING FORCE (N) @ 1600 PSI	22,600 LBS
PACKING FORCE (M) @ 1800 PSI	25,500 LBS

**STRUCTURAL CHARACTERISTICS**

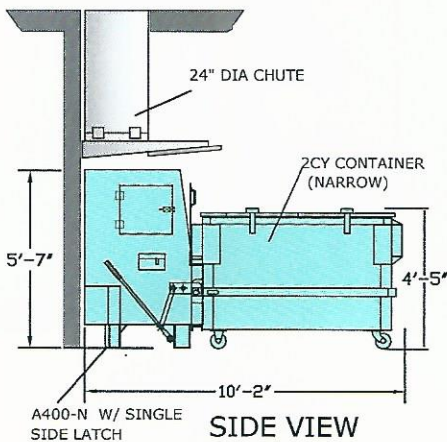
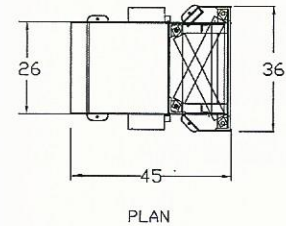
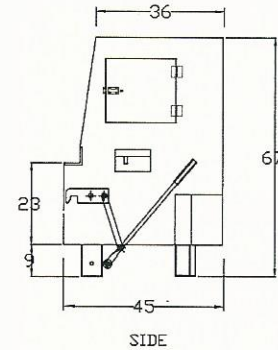
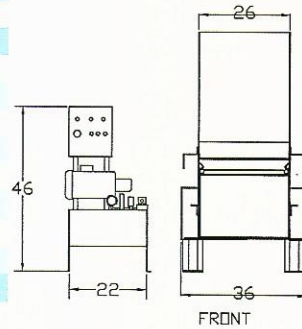
MAIN FRAME AND HOPPER	1/4" PLATE
IMPACT PLATE	1/4" PLATE
FLOOR PLATE	3/8" A.R. PLATE
RAM FACE PLATE	3/8" PLATE

**ELECTRICAL SPECIFICATIONS**

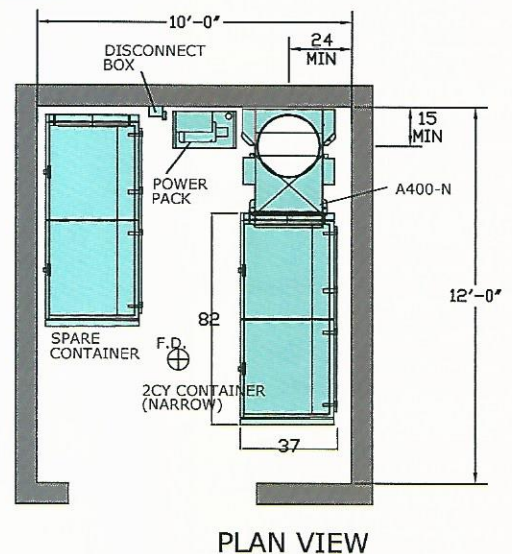
REMOTE POWER PACK DIMENSIONS	46"H x 22"W x 14"D
MOTOR	5HP
MOTOR POWER	208/230/460V, 3PH, 30 AMPS
CONTROL VOLTAGE	120VAC (24VDC OPTION)
CIRCUITS CONTROLLER	ZELIO PLC PROCESSOR
MONITORS	80% & 100% FULL
PHOTO ELECTRIC EYE	OMRON E3K
DOOR SAFETY SWITCH	TELEMECANIQUE
CONTROL PANEL	UL LISTED

**HYDRAULIC SPECIFICATIONS**

CYLINDERS	DUAL 3" BORE, 2" ROD
HYDRAULIC PUMP CAPACITY	6 GPM
OIL TANK CAPACITY	12 GALS.
OPERATING PRESSURE	1600 PSI
RELIEF PRESSURE	1800 PSI
MAXIMUM RATED PRESSURE	3000 PSI



**TYPICAL LAYOUT**



**APOLLO WELDING AND FABRICATING, INC.**

35600 CURTIS BLVD, EASTLAKE, OHIO 44095

**PH: 440 942 0227**

**FAX: 440 942 0127**

apollo@apollowelding.com

www.apollowelding.com

**DISTRIBUTED BY:**