



# APOLLO

## A1000 HAND FEED COMPACTOR

### FEATURES INCLUDE:

1 CU. YD. CHARGE CHAMBER

48" WIDE x 32" LONG CHAMBER OPENING

30" x 30" ACCESS DOOR

1/4" INTEGRAL MAINFRAME / HOPPER

3/8" A.R. FLOOR & RAM

SINGLE SIDE LATCH OR BOTTOM LATCH OPTIONS

DUAL 3" x 2" CYLINDERS

PUSH BUTTON, ONE CYCLE OPERATION  
AUTO CYCLE OPTIONAL

80% & 100% FULL LIGHTS WITH  
AUTOMATIC SHUTDOWN

### CONTROL PANEL FEATURES:

KEY ON/OFF

MANUAL FORWARD REVERSE

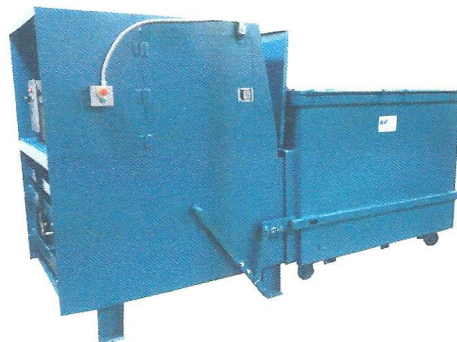
EMERGENCY STOP BUTTON

POWER ON LIGHT

MICROPROCESSOR CONTROLS WITH  
EASY READ OUT PROGRAMMING AND  
TROUBLE SHOOTING

UL LISTED POWER PACK  
FACTORY ASSEMBLED  
INTERNALLY MOUNTED

COUPLES WITH 4 CU.YD CONTAINER



## PRODUCT DATA AND RATINGS A1000

### GENERAL

COMPACTOR MODEL	<b>APOLLO A1000</b>
CHAMBER CAPACITY - MFR	1.00 CU.YD
CHAMBER CAPACITY - WASTEC	0.82 CU.YD
CHAMBER CLEAR OPENING	48"W x 32"L
TOP OPENING	48"W x 40"L
RAM DIMENSIONS	25"H x 48"W
OVERALL DIMENSIONS	65"L x 53"W x 78"H
EST. SHIPPING WT.(INCL. POWER PACK)	2800 LBS

### PERFORMANCE CHARACTERISTICS

CYCLE TIME	37 SECS.
CAPACITY PER HOUR	1.1 CU.YDS
CAPACITY PER HOUR	107 CU.YDS
RAM FACE PRESSURE (N) @ 2000 PSI	25 PSI
RAM FACE PRESSURE (M) @ 2200 PSI	27.5 PSI
PACKING FORCE (N) @ 2000 PSI	28,400 LBS
PACKING FORCE (M) @ 2200 PSI	31,200 LBS

### STRUCTURAL CHARACTERISTICS

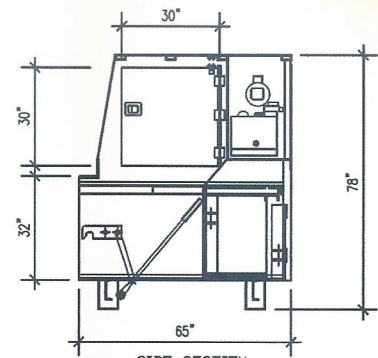
MAIN FRAME & HOPPER	1/4" HRS PLATE
BREAKER BAR	6" x 6" x 1/2" ANGLE
FLOOR PLATE	3/8" A.R.PLATE
RAM FACE PLATE	3/8" HRS PLATE

### ELECTRICAL SPECIFICATIONS

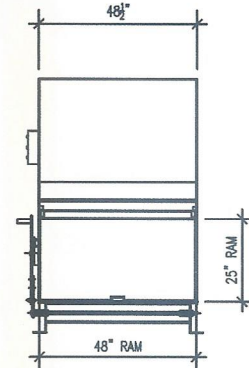
POWER PACK	INTERNAL
MOTOR	5HP
MOTOR POWER	208/230/460V, 3PH, 30 AMPS
CONTROL VOLTAGE	120VAC (24VDC OPTION)
CIRCUITS CONTROLLER	PLC PROCESSOR
MONITORS	80% & 100% FULL
REMOTE CONTROL PANEL	START BUTTON, E-STOP
DOOR SAFETY SWITCH	TELEMECANIQUE
CONTROL PANEL	UL LISTED- FACTORY ASSEMB.

### HYDRAULIC SPECIFICATIONS

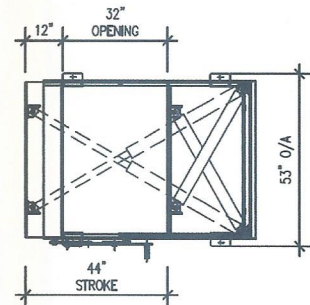
CYLINDERS	3" BORE, 2" ROD
HYDRAULIC PUMP CAPACITY	5.3 GPM
OIL TANK CAPACITY	12 GALS.
OPERATING PRESSURE	2000 PSI
RELIEF PRESSURE	2200 PSI
MAXIMUM RATED PRESSURE	3000 PSI



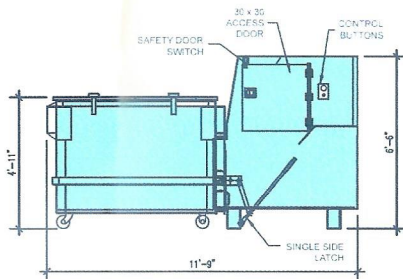
SIDE SECTION



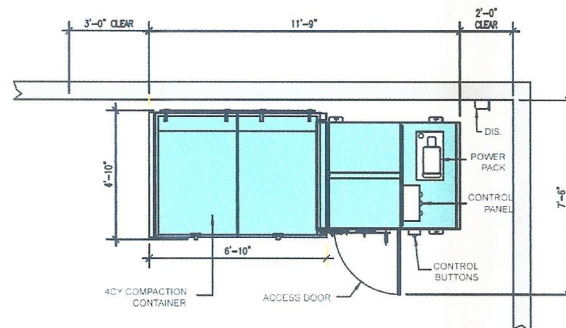
FRONT VIEW



TOP VIEW



SIDE VIEW



PLAN VIEW

TYPICAL INSTALLATION  
W/ 4CY CONTAINER

## APOLLO WELDING AND FABRICATING, INC.

35600 CURTIS BLVD, EASTLAKE, OHIO 44095

PH: 440 942 0227

FAX: 440 942 0127

apollo@apollowelding.com

www.apollowelding.com

DISTRIBUTED BY: